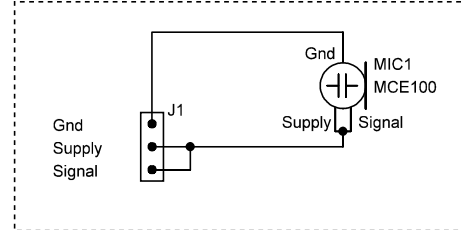
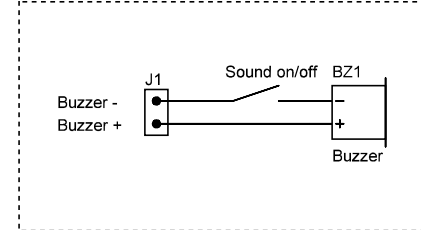


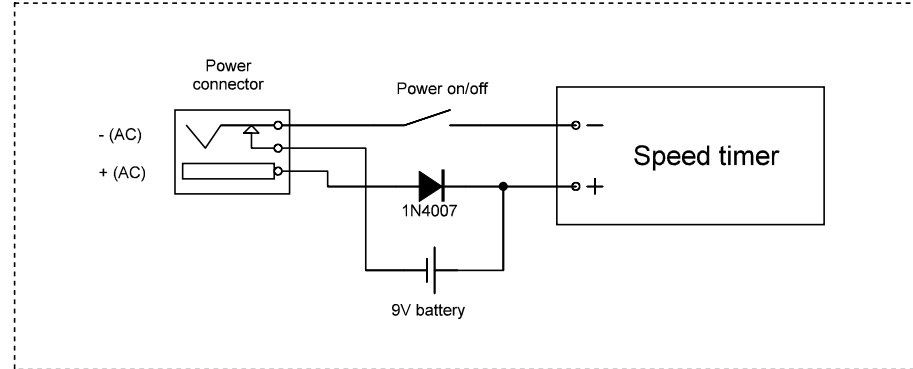
Microphone connection



Buzzer connection



Power connection



Speed timer (new)

Back



bygselvhifi.dk